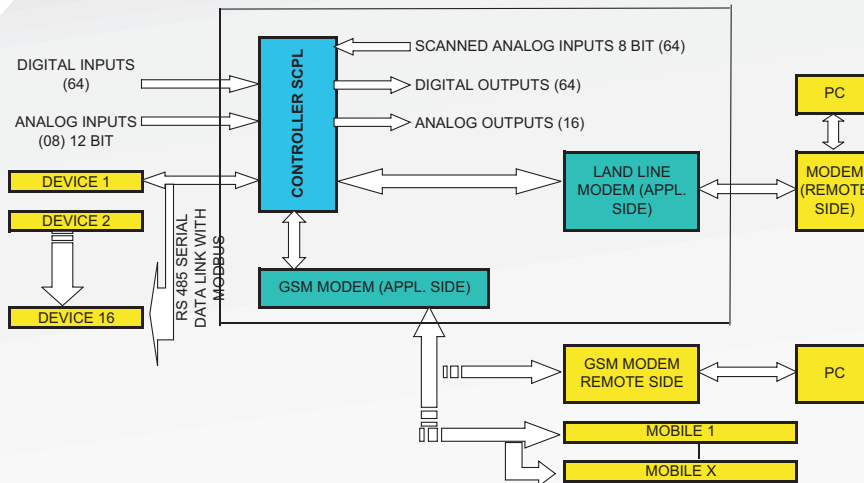


Remote Data Acquisition, Monitoring & Maintenance

- GSM / Land line Communicator Customized Controller

COMMUNICATOR BLOCK DIAGRAM



XXXXX, a microcontroller based intelligent controller, is a versatile solution for data acquisition, to transfer the data and to send SMS alerts, via GSM or Landline telephone, to remote locations, as well as to control various outputs from the remote locations.

Features

- Microcontroller based intelligent controller which can perform data acquisition using
 - RS - 485 Serial Link with MODBUS protocol
 - Expandable Digital Inputs (x8 - upto 64)
 - Expandable 12 Bit Analog Inputs (upto 8)
 - Expandable Scanned Analog Inputs (x8 upto 64)

XXXXX can establish control from remote place using

- Expandable Digital Outputs (x8 - upto 64)
- Expandable Analog Outputs (upto 16)

Incorporates Real Time Clock

Samples & Stores Data at periodic interval in the local non-volatile memory. Can also sample data on RTC basis
The data/ status of various digital / analog inputs can be retrieved from remote place using GSM or Landline telephone.
Digital & Analog Outputs can be operated using GSM or Landline telephone.

Can generate SMS Alerts pertaining to typical data or digital / analog inputs conditions to pre-defined mobile numbers
Can also operate digital / analog outputs with SMS received from pre-defined mobile numbers

"XXXXX follows wherever the GSM Network Follows"

very powerful tool to establish complete control of applications remotely.

Full expert application programming support

Can be put into use for unlimited applications in industries, homes, commercial complexes, hospitals etc..

Extremely useful in monitoring and maintaining remote sites

Specifications

Input Power	230 VAC / 50 Hz
Consumption	xx VA
Digital Inputs	10-30 Vdc / 10 mA (any potential free contacts)
Digital Outputs	24 Vdc / 1.5 Amp or 230 Vac / 100 mA
Analog Inputs	0 - 10 Vdc / 20 mA
Analog Outputs	0 - 10 Vdc / 50 mA
Memory	??
Operating Temperature	0 - 60 Degree C
Humidity	55-95% RH, non-condensing
Dimension	



Office: 401 / 402, Meghansh, Gurukul Road, Memnagar, Ahmedabad - 380052. Gujarat-INDIA
Ph. : +91 79 30910812 Tele Fax : +91 79 27411463 Website: www.streamlinecontrols.com
mktg@streamlinecontrols.com | purchase@streamlinecontrols.com | Skype ID: streamlinecontrols
Works: B-213/214, GIDC, Electronics Estate, Sector-25, Gandhinagar-382044. Gujarat-INDIA

Automation... Productivity through Technology...