

# ASPack

## Thick Thin Controller For Pipe Extruder



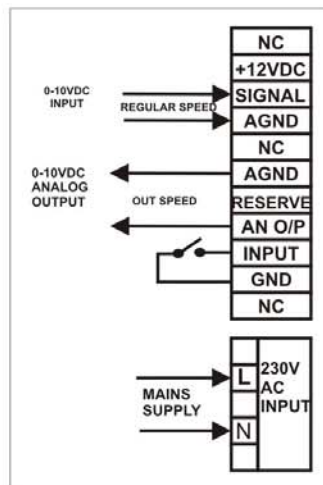
ASPack

Thick thin Controller is a Microcontroller based intelligent controller used in RPVC pipe Extruder plant. Thick thin Controller has a keen role In increasing / Decreasing the wall thickness of pipe as per requirement.

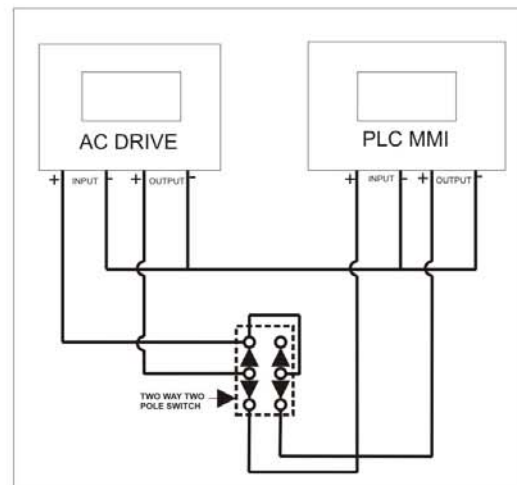
### Features

Digital Inputs	Start Input
Analogue Outputs	Thick Thin ( 0-10VDC )
Analogue Inputs	Regular ( 0-10VDC )
Operation	Ramp Time for Transmitting Regular to Thick Thin Mode & viceversa Thick Thin Speed in % Setting
Timers	Delay Time Ramp Time Run Time
User interface	Standard: 144 x 144, 16 X 2 LCD / 5 Key Membrane

### Wiring Diagram



### Block Diagram



Office: 401 / 402, Meghansh, Gurukul Road, Memnagar, Ahmedabad - 380052. Gujarat-INDIA  
Ph. : +91 79 30910812 Tele Fax : +91 79 27411463 Website: www.streamlinecontrols.com  
mktg@streamlinecontrols.com | purchase@streamlinecontrols.com | Skype ID: streamlinecontrols  
Works: B-213/214, GIDC, Electronics Estate, Sector-25, Gandhinagar-382044. Gujarat-INDIA