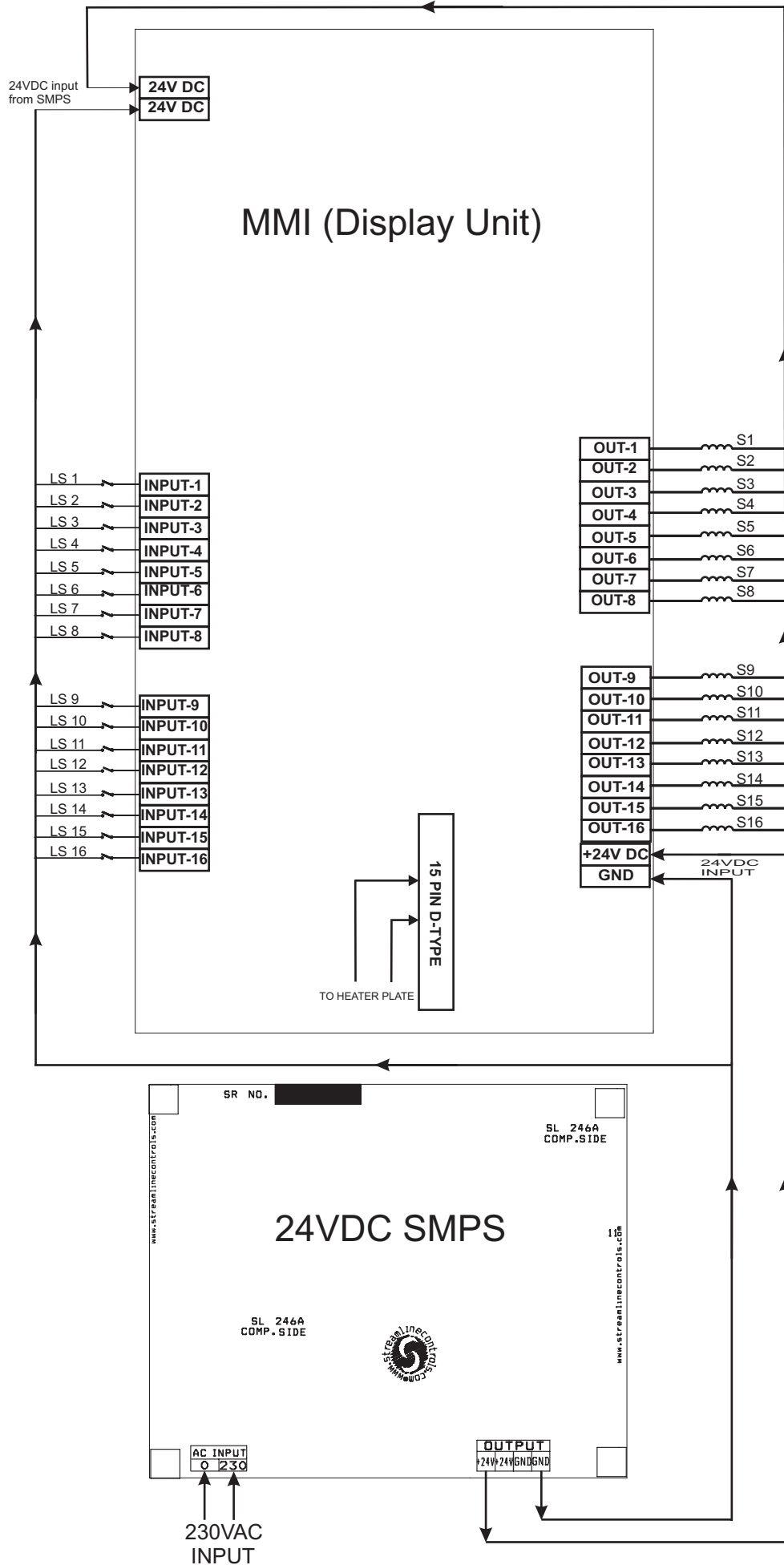
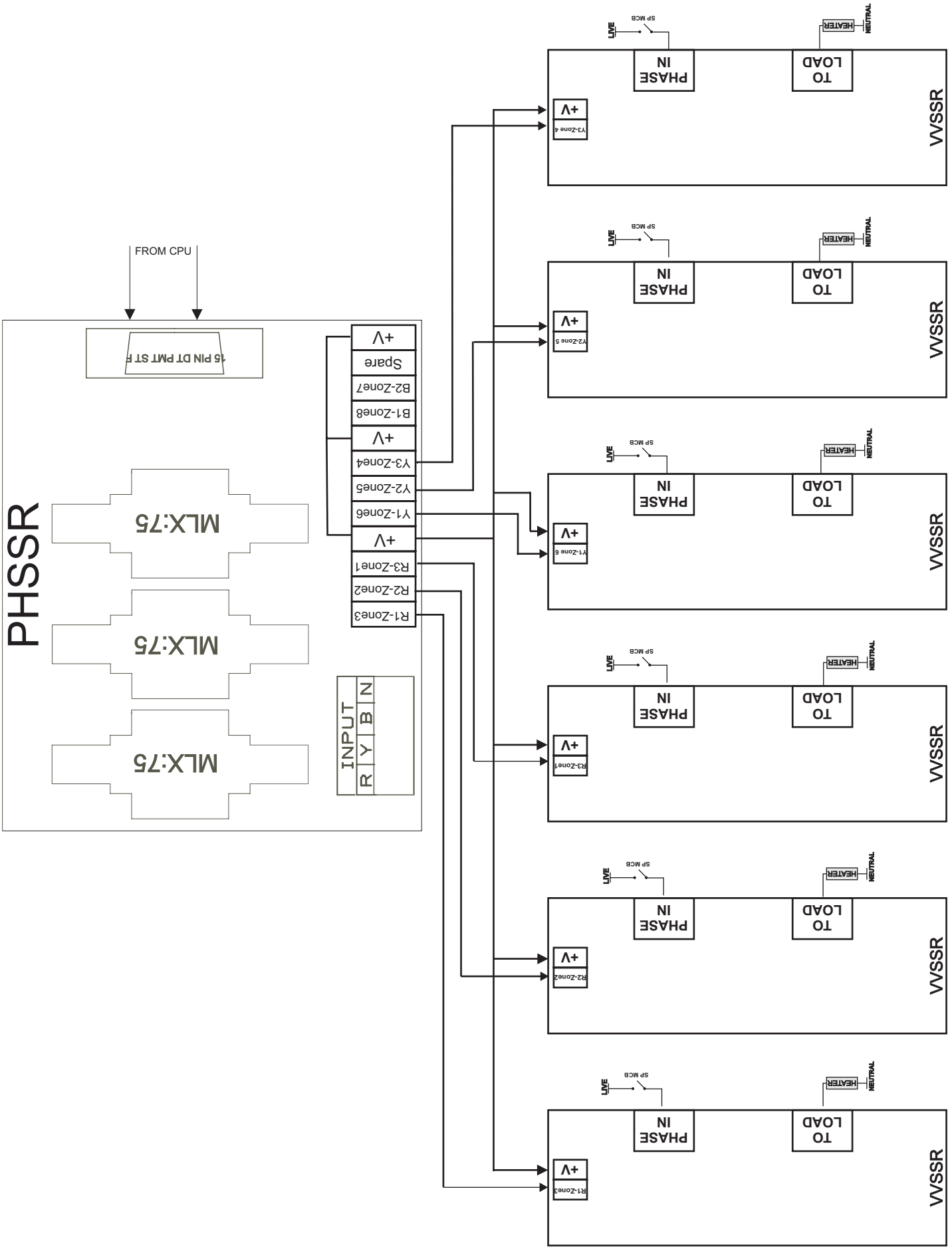


Wiring Diagram of PETkon



PHSSR



FROM CPU

16 PIN DT PMT ST F

MLX:75

MLX:75

MLX:75

INPUT
R Y B N

+V
Spare
B2-Zone7
B1-Zone8
+V
Y3-Zone4
Y2-Zone5
Y1-Zone6
+V
R3-Zone1
R2-Zone2
R1-Zone3

+V
Y3-Zone4
PHASE IN
TO LOAD
HEATER
NEUTRAL
LIVE
SP MCB
WSSR

+V
Y2-Zone5
PHASE IN
TO LOAD
HEATER
NEUTRAL
LIVE
SP MCB
WSSR

+V
Y1-Zone6
PHASE IN
TO LOAD
HEATER
NEUTRAL
LIVE
SP MCB
WSSR

+V
R3-Zone1
PHASE IN
TO LOAD
HEATER
NEUTRAL
LIVE
SP MCB
WSSR

+V
R2-Zone2
PHASE IN
TO LOAD
HEATER
NEUTRAL
LIVE
SP MCB
WSSR

+V
R1-Zone3
PHASE IN
TO LOAD
HEATER
NEUTRAL
LIVE
SP MCB
WSSR